

# AIM-75H

## 8" Medical Grade Tablet with Qualcomm® Snapdragon™ 660 Processor and PCAP Touchscreen



DeviceOn/iService QUALCOMM

- Qualcomm® Snapdragon™ 660 processor with Android 10 and GMS certification
- 8" industrial-grade LCD with 1920x1200 resolution, 400-nit brightness, and up to 12,000 hours MTBF
- Projected capacitive touchscreen with scratch-resistant Corning® Gorilla® Glass
- Supports active stylus pen and gloved operation for increased usability
- IP65-rated protection from water and dust ingress
- 4-ft drop tolerance
- Fast roaming and dual-band WLAN, BT 5.0, NFC, 3G/ 4G LTE connectivity for seamless communications
- Optional peripherals include a 1D/2D barcode scanner, LAN+COM module, and UHF RFID module
- Lightweight design and multi-tablet docking station supports deployment in diverse environments
- Equipped with DeviceOn/iService software for remote device management

AIM-75H is an 8" medical-grade tablet that features a projected capacitive touchscreen, IP65-rated ingress protection, and Android 10 operating system. Aimed at healthcare applications, AIM-75H can be equipped with optional extension modules and peripherals that enable seamless communication and unlimited mobility for diverse usage scenarios. Moreover, AIM-75H is equipped with Advantech's DeviceOn/iService software, which is a next-generation unified device management solution based on the WISE-DeviceOn platform.

### Specifications

System	Processor	Qualcomm SDA660 (up to 2.2GHz)
	RAM	4 GB LPDDR4X
	OS	Android 10 with GMS certification
Storage	eMMC	64 GB
	Micro-SD	up to 2 TB
Display	Typ	8" IPS LCD
	Resolution	WUXGA 1920 x 1200
	Brightness	400 cd/m <sup>2</sup>
	Touch & Glass Type	10-point, multi-touch projected capacitive Corning® Gorilla® Glass 3
Communication	WLAN	IEEE 802.11 a/b/g/n/ac
	Bluetooth	Bluetooth® v5.0 + BLE
	NFC	13.56 MHz, compatible with ISO15693, ISO14443A, ISO 14443B, FeliCa
Connectivity	Standard I/O	1 x USB Type-C 3.0 , 1 x combo audio jack, 1 x SIM card reader, 1 x micro SD card reader
	Extended I/O	1 x AIM extension 14-pin pogo connector: 1 x USB 2.0, 1 x 2-wire UART, 5V/1A power
	Docking	1 x AIM dock 16-pin pogo connector: 1 x USB 2.0, 9V power
	GPS	Glonass/Beidou/Galileo/QZSS/SBAS
Audio	Speaker	1 x Internal speakers (1.5W)
	Audio Jack	1 x Audio combo jack (combines stereo audio output and mono microphone input)
Camera	Front	5.0-megapixel fixed-focus camera
	Rear	8.0-megapixel auto-focus camera with LED flash
Sensors		Ambient light sensor, e-compass, g-sensor, gyroscope
Control		1 x Power button, 2 x volume keys (up/down), 1 x programmable function key
Battery capacity	Indicator	green: 100%, blue: loading, red: low (<10%)
Power	Input voltage	USB Type-C: 5V/3A, 9V/2A Dock pogo: 9V/2A
	Battery	Swappable battery: 4900mAh @ 3.8V <sub>DC</sub> (18.62 WHr) Operating time: Up to 12 hours* Charging time: < 3 hours*
	Physical Characteristics	Dimensions Weight

[megabyte]

Walter-Freitag-Str. 36  
D-42899 Remscheid

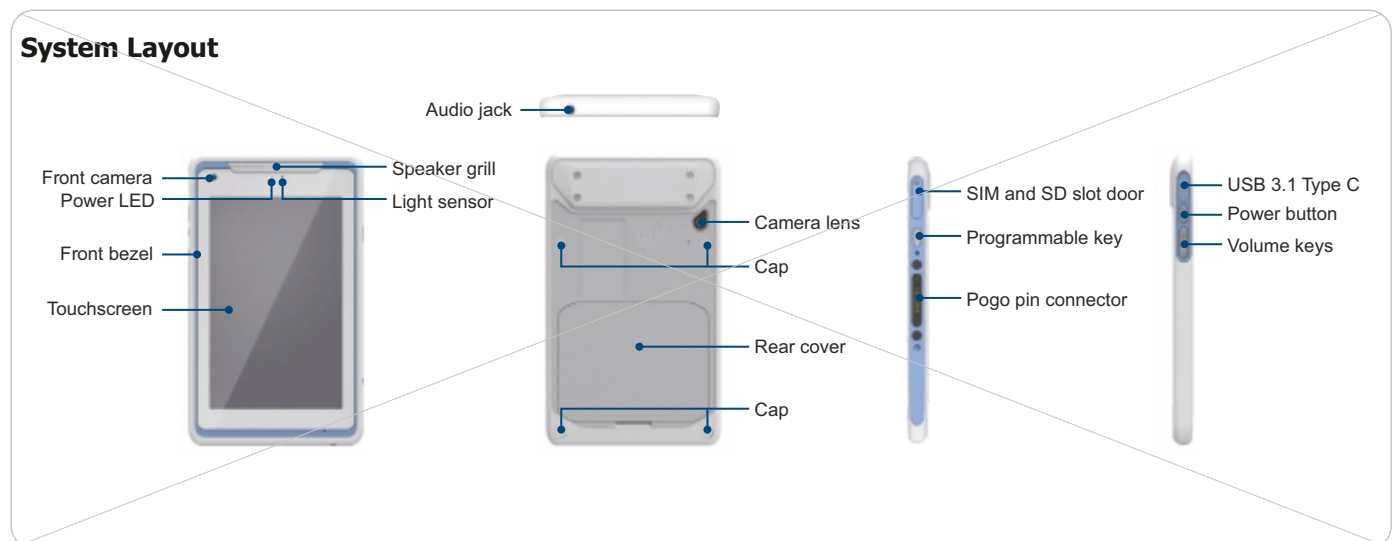
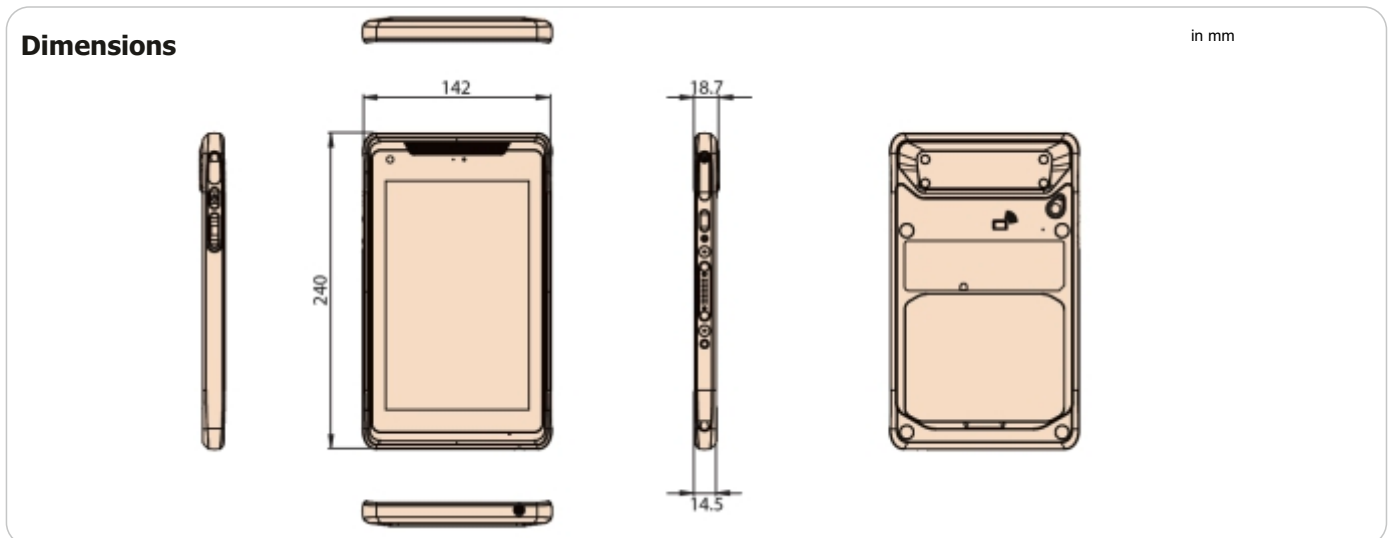
Tel: +49 2191 / 98 30 30  
Fax: +49 2191 / 98 30 333

info@megabyte-rs.de

www.megabyte-rs.de  
www.megasept.de

Environment	Operating temp.	0 ~ 35 °C/32 ~ 95 °F
	Storage temp.	-20 ~ 60 °C/-4 ~ 140 °F
	IP Rating	IP65
	Shock	SAE J1455
	Vibration	SAE J1455
	Humidity	Operating: 10 ~ 90% @ 40 °C non-condensing / Storage: -10 ~ 95% non-condensing
	Drop tested	Up to 120 cm/4 ft onto plywood
Certifications	IEC/UL/EN 60601-1, UL/CB 62368 , FCC, CE, NCC/BSMI, TELEC/VCCI, RCM, IC, CCC/SRRC, EN1789	

\*The battery duration and recharge time can vary depending on different factors, such as screen brightness, applications, features, power management, battery condition, and other configurable settings.



### Ordering Information

Part Number	WiFi	GMS	Applicable Regions/Countries
AIM-58CT-12101000	<input checked="" type="checkbox"/>	<input checked="" type="checkbox"/>	Global (excluding Europe)
AIM-75H-221S10	<input checked="" type="checkbox"/>	<input checked="" type="checkbox"/>	Europe (excluding Turkey and Russia)
AIM-58CT-12101000	<input checked="" type="checkbox"/>	<input checked="" type="checkbox"/>	Global

### Packing List

Titel
1 x AIM-75H tablet
1x AC Adapter
1 x power cable (US)

### Peripheral Ordering Information

Part Number	Description
1702002600	Power Cord UL 3P 10A 125V 183cm (USA)
1700000237	Power Cord PSE 3P 12A 125V 183cm (Japan)
1700000596-11	Power Cord CCC 3P 10A 250V 183cm (China)
1702031836	Power Cord SAA 3P 10A 250V 183cm (NZ/AU)
1700018704	Power Cord BSI 3P 10A 250V 180cm (UK)
1702002605	Power Cord EU 3P 10A 250V 183cm 90°(EU)

Specifications subject to change without notice. For errors, technical mistakes and misprints no liability is assumed. July 2022.