

32" Full-HD Surgical Monitor

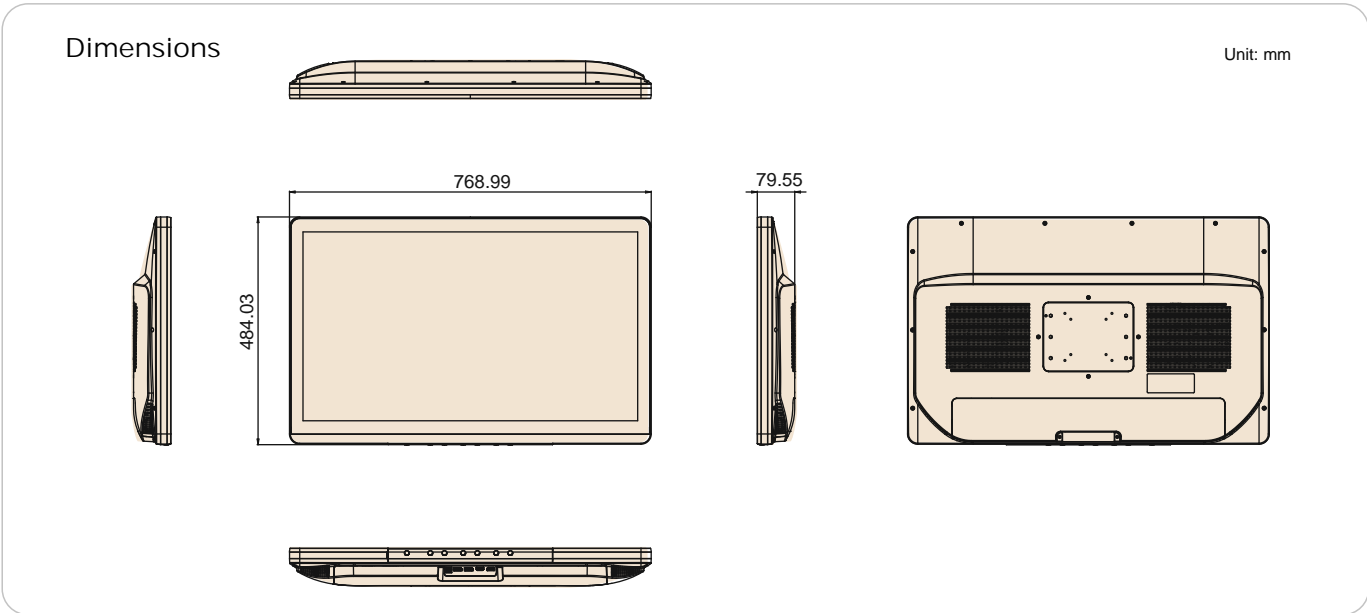


- True Flat Design with AR Filter
- High Brightness and High Contrast Ratio
- FHD Resolution (1920 x 1080)
- HDMI 2.0, DP 1.2, DVI, RGB Support Up to (1920 x 1080) @ 60 Hz
- SDI Support Up to 1920 x 1080 @ 60Hz
- Multi-Standard Video System Supported: NTSC, PAL, SECAM
- Video Enhancement features including:
 - 14-bit LUT processing
 - DICOM Part 14 GSDF Compliant
 - DICOM, Clear, Blue modes support
- Optional upgrade to IP-based monitor with AVAS

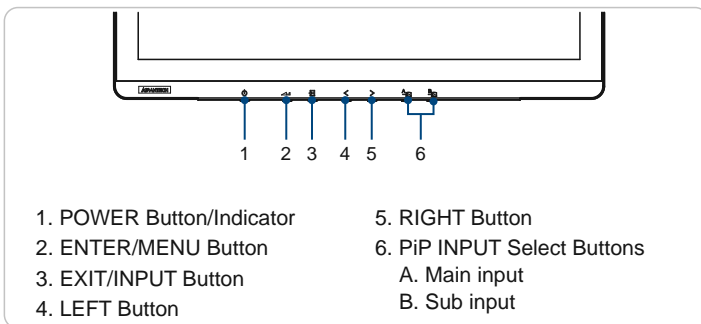
Specifications

LCD	Screen Size	31.55" (698.4 x 392.9 mm)	
	Resolution	1920 x 1080	
	Aspect Ratio	16:9	
	Pixel Pitch (mm)	0.36375 x 0.36375 mm	
	Viewing Angel	178°/ 178°	
	Contrast Ratio (Typ.)	1300 : 1	
	Native Luminance (Typ.)	400 cd/m2	
	Color Depth	8-bit 16.7M Colors	
	Display Mode	AH-IPS	
	Response Time	25 Ms (G to G)	
Input	DP 1.2 Input	DP Jack x 1	DisplayPort 1.2, 1920 x 1080 @ 60Hz max.
	HDMI 2.0 Input	HDMI Jack x 1 (Typ A)	Digital RGB: TMDS, 1920 x 1080 @ 60Hz max.
	DVI Input	DVI Jack x 2 (Typ D)	Digital RGB: TMDS, 1920 x 1080 @ 60Hz max.
	SDI1 Input	BNC Jack x 1	Serial Input Common Mode: 2.2 Vp-p (75 ^Ω); 1920 x 1080 @ 60 Hz max.
	S-Video Input	Mini DIN Jack x 1 (4-pin)	Y: 1 Vp-p (75 ^Ω), C: 0.286 Vp-p (75 ^Ω) [NTSC] Y: 1 Vp-p (75 ^Ω), C: 0.300 Vp-p (75 ^Ω) [PAL / SECAM]
	Video Input	BNC Jack x 1	1 Vp-p (75 ^Ω) [NTSC / PAL / SECAM]
	USB Up	USB-B Jack x 1	For Optional Touchscreen
	RS-232C	D-Sub Jack x 1	Service Port
Optional Input	RGB Input	D-sub x 1	PAX-332-C2B-NAS
	Audio Input	Audio Jack x 1	PAX-332-C2B-NAS
	AVAS NDcoder	SPF+ Modul x 1	PAX-332-C2F-NAS
	SDI2 Input	LAN RJ-45 Jack x 1	By Request Only
Output	DVI Output	DVI Jack x 2 (Typ D)	Digital RGB: TMDS, 1920 x 1080 @ 60Hz max.
	SDI1 Output	BNC Jack x 1	Serial Input Common Mode: 2.2 Vp-p (75 ^Ω); 1920 x 1080 @ 60 Hz max.
	S-Video Output	Mini DIN Jack x 1 (4-pin)	Y: 1 Vp-p (75 ^Ω), C: 0.286 Vp-p (75 ^Ω) [NTSC] Y: 1 Vp-p (75 ^Ω), C: 0.300 Vp-p (75 ^Ω) [PAL / SECAM]
	Video Output	BNC Jack x 1	1 Vp-p (75 ^Ω) [NTSC / PAL / SECAM]
	DC Power Output	DC Jack x 1	DC 5 V or DC 12 V
Optional Output	Audio Output	Audio Jack x 1	PAX-332-C2B-NAS
	SDI2 Output	BNC Jack x 1	
Power Supply	Rating	DC 24V 10.41A Max.	
	Consumption	80W max.	

Environment	Temperature	Operating	0 ~ 40 °C
		Storage	-20 ~ 60 °C
	Humidity	Operating	Ta = 40 °C, 90% RH not-condensed
		Storage	5 ~ 90%
Pressire	Operating	500 hPa to 1013 hPa	
	Storage	500 hPa to 1013 hPa	
Physical Characteristics	IP Rating	Front IP65 / Top IPX1	
	VESA Mount	100 x 100; 75 x 75 mm	
	Dimensions (WxDxH)	768.99 x 79.55 x 484.03 mm	
	Weight	12.5Kg max.	
Certification	CE-EMC, FCC, VCCI, CE MDD		
Warranty	3 Years		



Front Function Keys



Order Information

Part Number	Brightness	Optional	Touchscreen	Weight	Power Consumption (Typ.)
PAX-332-C2B-NAS	400 cd/m2	RGB/Audio	-	12,04 kg	54,3 W
PAX-332-C2F-NAS	400 cd/m2	AVAS	-	12,5 kg	78,3 W

Optional Items

Part Number	Description
1702002605	Power Cord (Europe) 1.8m
1702002600	Power Cord (USA) 1.8m
1700018704	Power Cord (UK) 1.8m

All product specifications are subject to change without notice.